



CERAMIC TRIMMER CAPACITOR 06 SERIES

These rotary ceramic trimmer capacitors are designed to have high electrical performances which utilize a high quality ceramic dielectrics and are ideal for PCB dip mounting.

□ Features

1. Color coded case permits easy identification.
2. Sealed construction prevents the penetration of Flux and Dust.
3. Wide range of nominal capacitance.

□ Applications

- VCRS, LD players, CTV sets
- Car audio system, Car clocks
- Radio cassette tape Recorders, Stereos
- Cordless telephones, Transceivers
- Personal computers, Video games, Facsimiles

□ Characteristics

- ◆ Working Voltage : 100V DC
- ◆ Withstand Voltage : 220V DC
- ◆ Insulation Resistance : 10^4 M Ω min.at100VDC
- ◆ Turning Torque : 20 to 150 gf-cm
- ◆ Operating Temperature : -25 o C to + 85 oC

□ Parts Numbering

VC06 R (A,B,F) 10

1 1 2 3 4

1. Ceramic trimmer capacitor VC06 Series
2. R: Plastic Case
3. Terminal type (A:Normal Type ; B:Rear Type ; F:Forming Type)
4. Nominal Capacitance Value

□ Ratings

PARTS NO.	Capacitance (pF)		Temp. Coefficient (ppm/°C)	Q Factor (At@1MHz,Cmax.)	Color Code
	Min.(Less Than)	Max.(More Than)			
VC06R(A,B,F)030	1.2	3.0	NPO \pm 250	300 min	BLACK
VC06R(A,B,F)050	2.0	5.0	NPO \pm 250	300 min	BLUE
VC06R(A,B,F)100	3.0	10.0	NPO \pm 250	300 min	WHITE
VC06R(A,B,F)200	4.2	20.0	N450 \pm 300	300 min	RED
VC06R(A,B,F)300	6.2	30.0	N750 \pm 300	300 min	GREEN
VC06R(A,B)400	7.0	40.0	N1200 \pm 500	200 min	YELLOW
VC06R(A,B)500	9.8	50.0	N2000 \pm 500	200 min	BROWN
VC06R(A,B)700	12.0	70.0	N2000 \pm 500	200 min	BROWN
VC06R(A,B)900	20.0	90.0	N2200 \pm 500	200 min	BROWN
VC06R(A,B)121	25.0	120.0	N2200 \pm 500	200 min	BROWN

□ Packing

500 pcs/bag ; 5000 pcs/ inner box

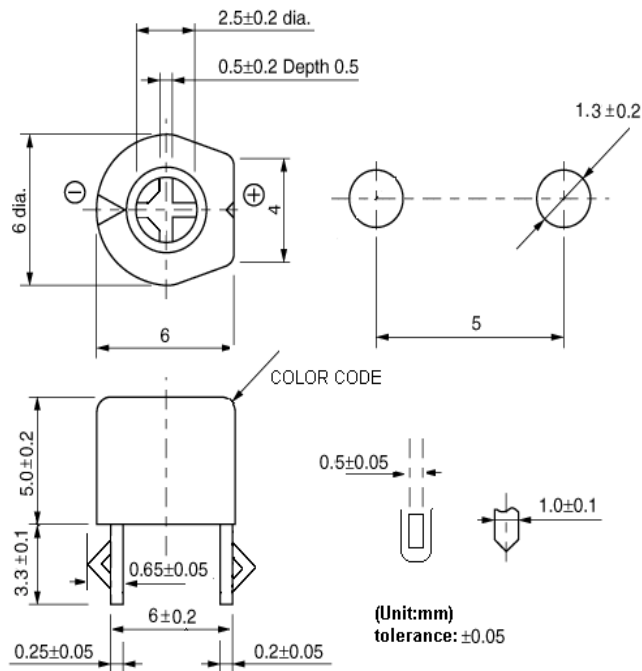


CERAMIC TRIMMER CAPACITOR 06 SERIES

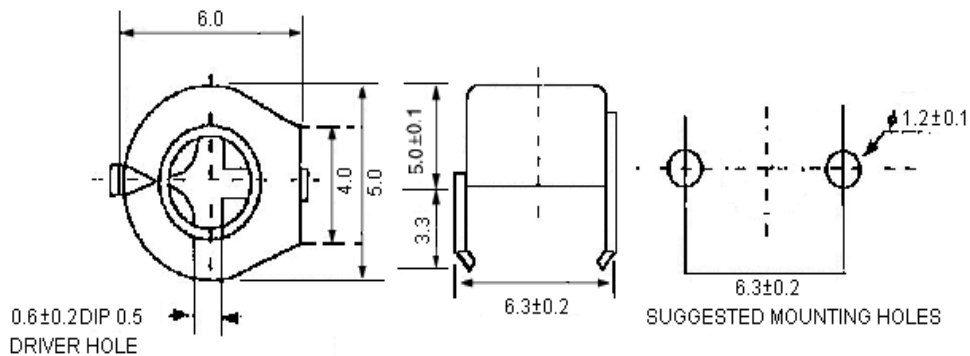
These rotary ceramic trimmer capacitors are designed to have high electrical performances which utilize a high quality ceramic dielectrics and are ideal for PCB dip mounting.

□ Shape and Dimensions

VC06RA



VC06RF



VC06RB

